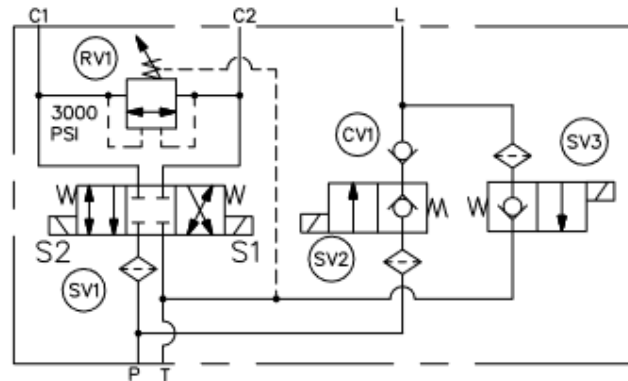
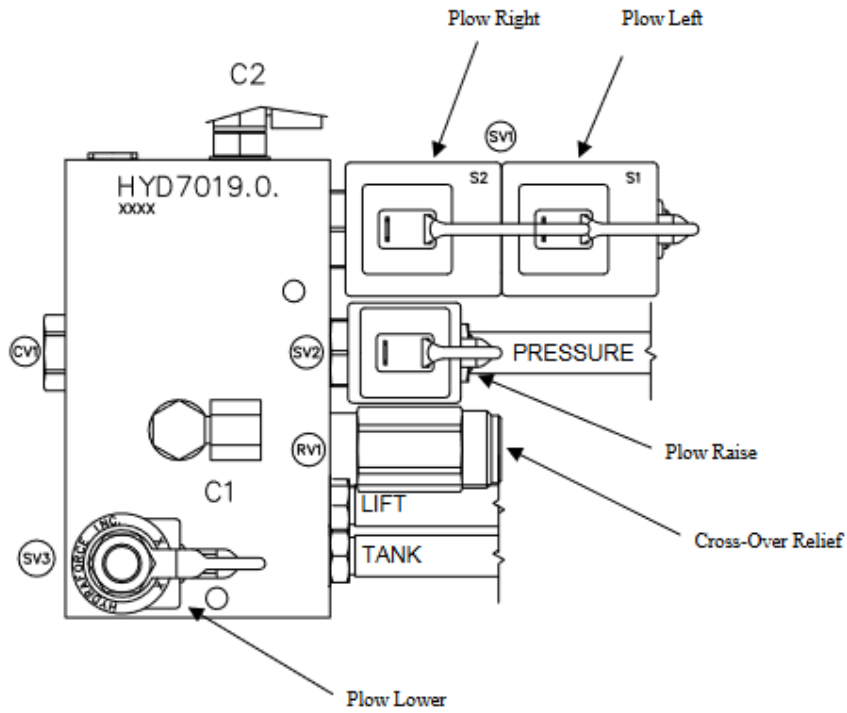


**HYD7019 Hydraulic Valve Assembly
 Straight Blade Plow (Red Manifold)**



**HYD7019 Hydraulic Valve Assy
RT3 Straight Blade w/Smarthitch (Red)
Parts List**

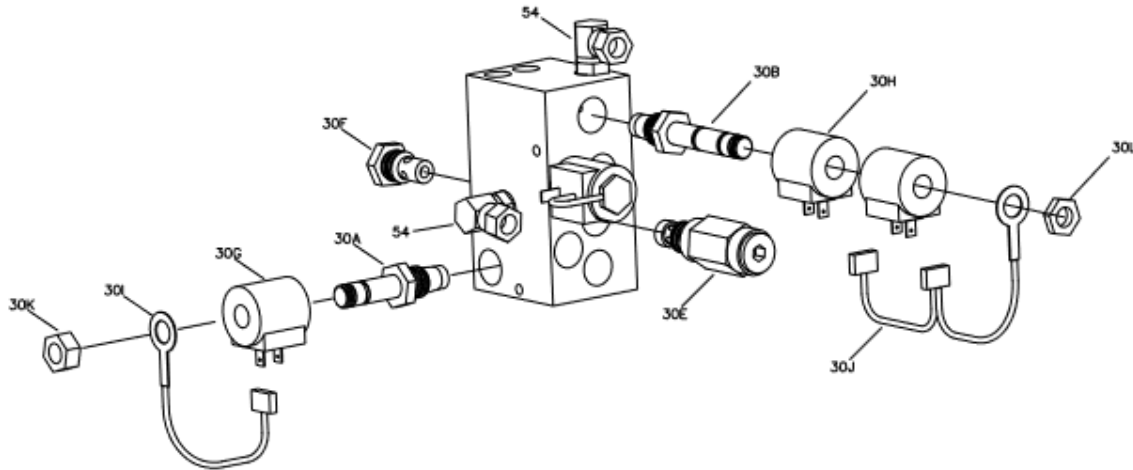


Figure 1. Hydraulic Valve Assembly Parts Breakdown

G10076

Reference Number	Description	Part Number	Qty
30A	Hydraulic Valve, Lift/Lower Cartridge	HYD01637	2
30B	Hydraulic Valve, Angle Cartridge (3 Position - 4 Way Spool)	HYD07029	1
30E	Relief Valve, Hydraulic Crossover (4000 PSI)	HYD07027	1
30F	Check Valve	HYD01640	1
30G	Coil, Hydraulic Valve - used with valve HYD01637	HYD01638	2
30H	Coil, Hydraulic Valve - used with valve HYD07029	HYD07030	2
30I	Ground Strap, Coil - used with valve HYD01637	HYD01647	2
30J	Ground Strap, Hydraulic Valve Dual - used with valve HYD07029	HYD07032	1
30K	Nut, Coil - used with valve HYD01637	HYD07059	2
30L	Nut, Coil - used with valve HYD07029		1
54	Fitting, 90° Swivel	HYD01620	4